

Feuille Réponse des Exercices 3 et 4

NOM : _____

PRENOM : _____

3-QCM (30 minutes)

justification éventuelle

Question 1

- a. boolean
- b. LinkedList
- c. Integer
- d. PileDecimale

Question 2

- a. ...a...
- b. ...new Integer(a)...
- c. ...(Object)a...
- d. ...(Object)new Integer(a)...

Question 3

- a. 17_h
- b. EA_h
- c. E8_h
- d. E9_h

Question 4

- a. 26, 50
- b. 26, 20
- c. 27, 20
- d. 27, 50

Question 5

- a. $x = x \ll 8 + x \ll 6$
- b. $x = x \ll 320$
- c. $x = x \ll 7 + x \ll 5$
- d. $x = x \ll x$

Question 6

- a. .
- b. .
- c. .
- d. .

Question 7

- a. f1
- b. f2
- c. g1
- d. g2

Question 8

- a. .
- b. .
- c. .
- d. .

4-Héritage (35 minutes)

Question 1

Question 2

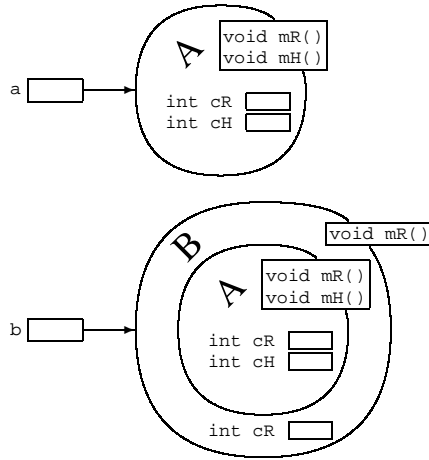
Question 3

Question 4

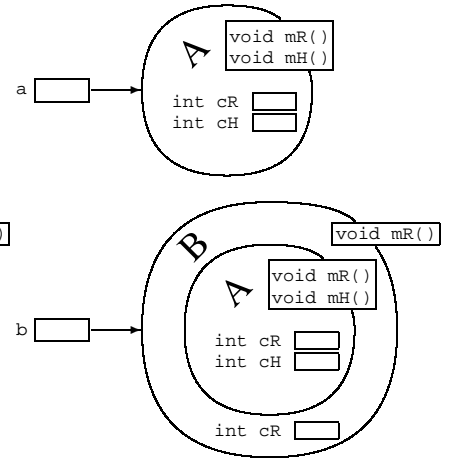
Question 5

Question 6

Question 1.2.3



Question 4.5



Question 6

